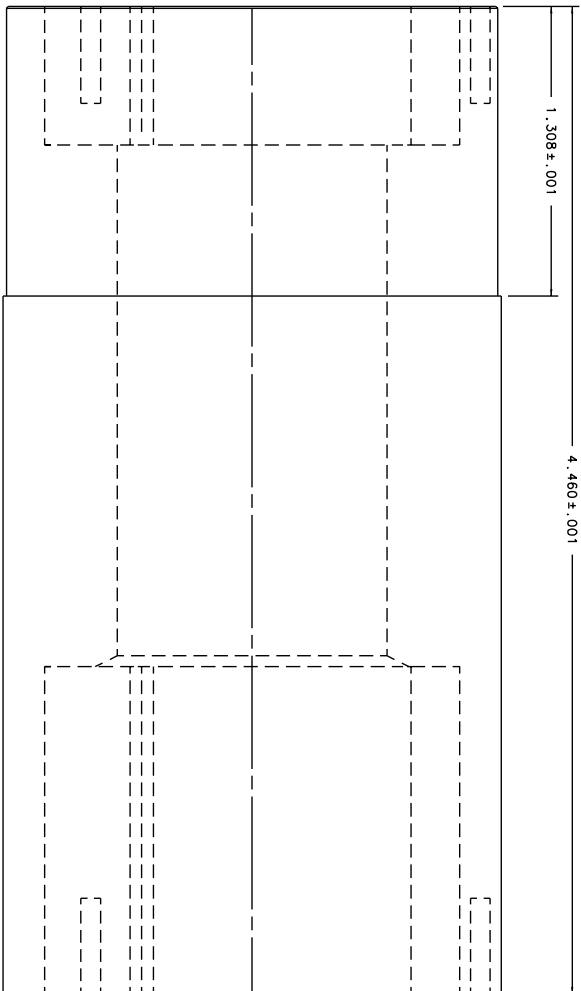
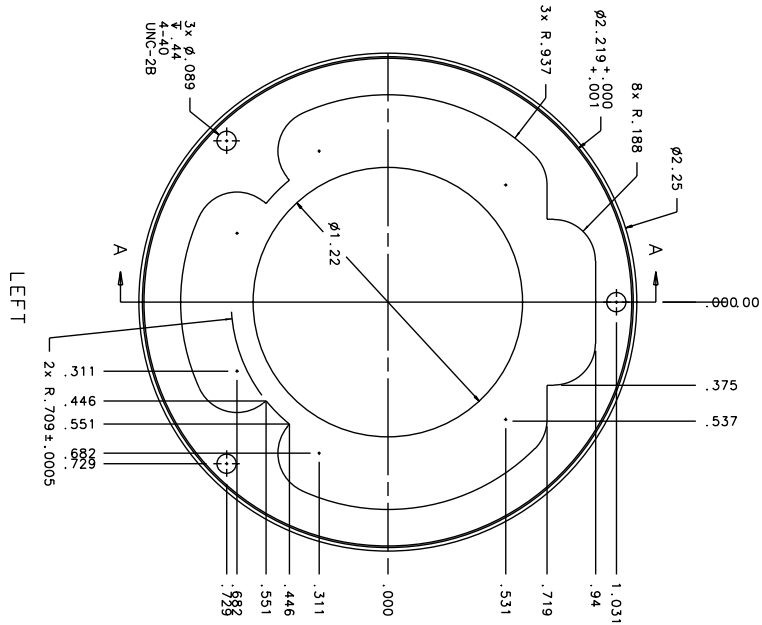


WEIGHT : 0.90 LBS  
 ANODIZE : BLACK  
 SURF AREA : 60.11 IN<sup>2</sup>

BILL OF MATERIAL		MATERIAL
ITEM	QTY	DESCRIPTION
1	1	LENS CELL 1
DRW. NO.	AKK-251	ALUM 6061-T6



FRONT

TOLERANCES		DRAWING NUMBER		INSTITUTE FOR ASTRONOMY	
FEAT. DIMENSIONS	FEAT. DIMENSIONS	AKK-251-1	AKK-251-1	LENS CELL 1	LENS CELL 1
X.X ± 0.02	DATE: 01/31/02	NAME: IERS CELL	NAME: IERS CELL	DESIGNER: NASA JPL	DESIGNER: NASA JPL
X.XX ± 0.005	DESIGN: VERN S	TELESCOPE: NASA JPL	TELESCOPE: NASA JPL	REVISION DATE: REV. DATE	REVISION DATE: REV. DATE
X.XXX ± 0.001	JOS #: 948	SCALE: 2:1	SCALE: 2:1	SHEET NO. 1 OF 2	SHEET NO. 1 OF 2
± 0.5°	MFG:				