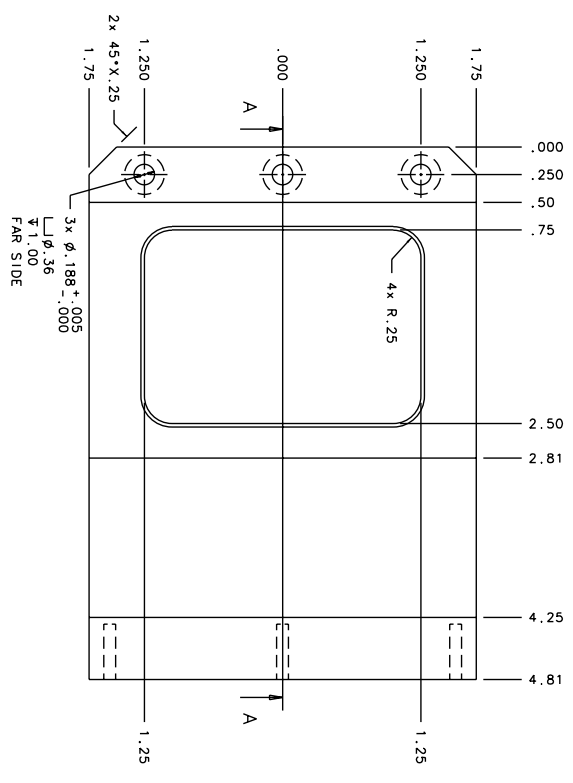
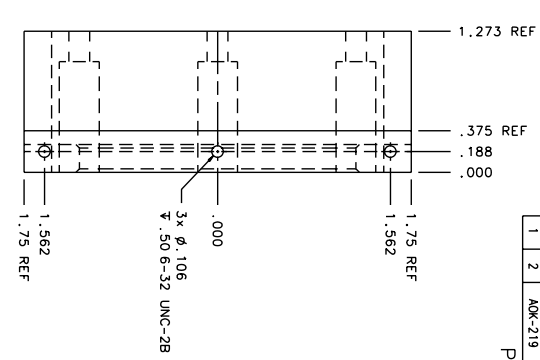


BILL OF MATERIAL		MATERIAL
ITEM #	DRW. NO.	DESCRIPTION
1	AK-219	APOGEE SIDE PLATE MOUNT
2		ALUM 6061-T6

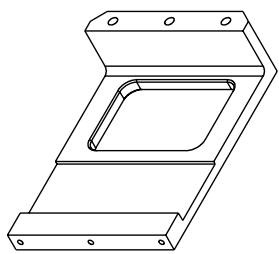
POSTPROCESSING: BLACK ANODIZE
 WEIGHT: 0.43 LBS
 SURF AREA: 43.91 IN²



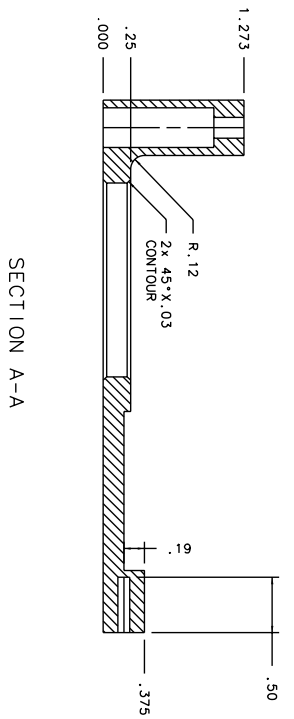
FRONT



RIGHT



ISO



SECTION A-A

TOLERANCES		DRAWING NUMBER		INSTITUTE FOR ASTRONOMY	
NEUT ASSY	X, X ±0.02	DATE: 04/30/02	AK-219	NAME: APOGEE SIDE PLATE MOUNT	INSTITUTION: UNIVERSITY OF HAWAII
AK-200	X, XX ±0.005	DESIGN: VERN S		TELESCOPE: WMA 18FT	
	X, XXX ±0.001	JOS #: 948		SIZE: B	
	±0.5°	MFG:		REVISION DATE: REV. DATE	
				SCALE: 1:1	
				SHEET NO. 1 OF 1	