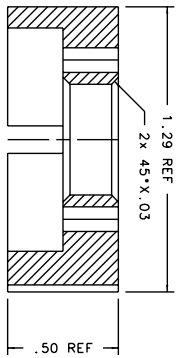
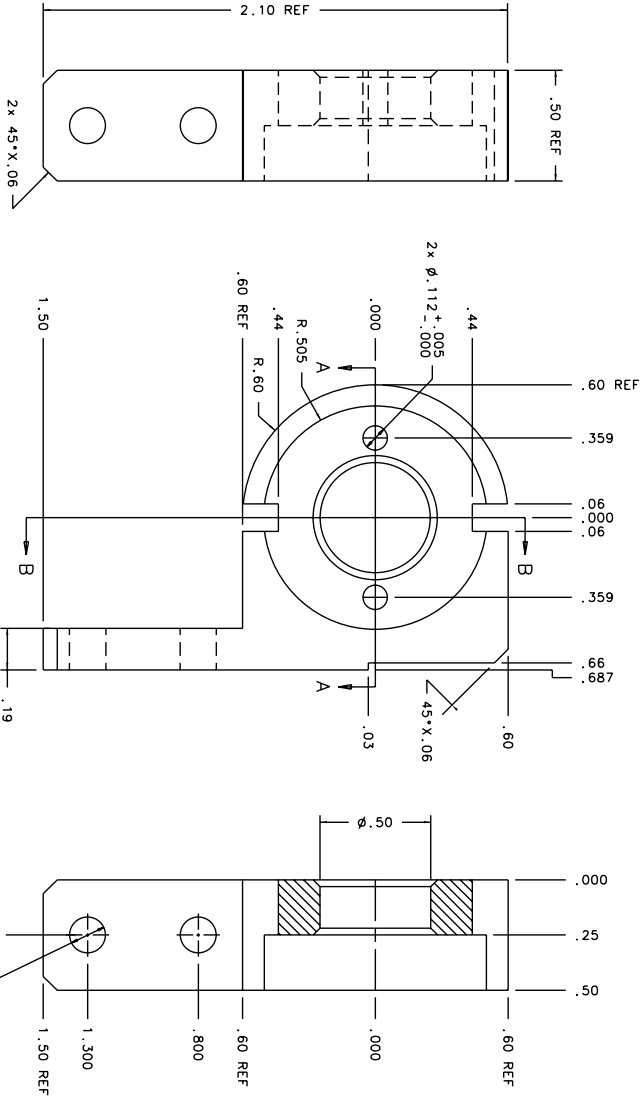


ITEM Q'TY		DRW. NO.	DESCRIPTION	MATERIAL
1	1	AKK-214	SHUTTER BRACKET	ALUM 6061-T6

WEIGHT: 0.047 LBS
 ANODIZE: BLACK
 SURF AREA: 7.2 IN²

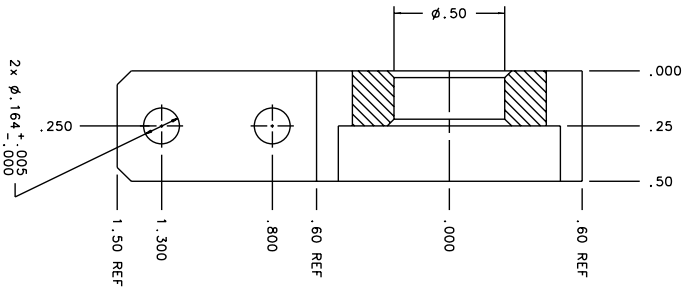


SECTION A-A



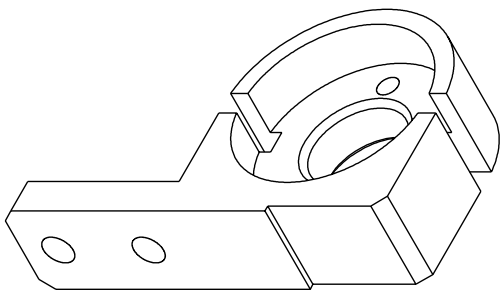
LEFT

FRONT



SECTION B-B

ISOMETRIC



TOLERANCES		DRAWING NUMBER		INSTITUTE FOR ASTRONOMY	
X.X ± 0.02 X.XX ± 0.005 X.XXX ± 0.001 ∠ ± 0.5°	DATE: 01/04/02 DESIGN: VERNIS JOS #: 948 MFG:	AKK-214 SHUTTER BRACKET	NAME: SHUTTER BRACKET INSTRUMENT: WSA 18T TELESCOPE: WSA 18T	INSTITUTION: UNIVERSITY OF ARIZONA DEPARTMENT: ASTRONOMY	REV. DATE: REV. DATE SHEET NO. 1 OF 1