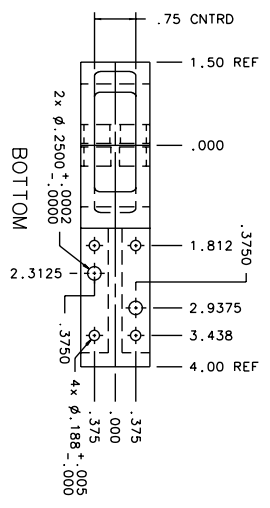
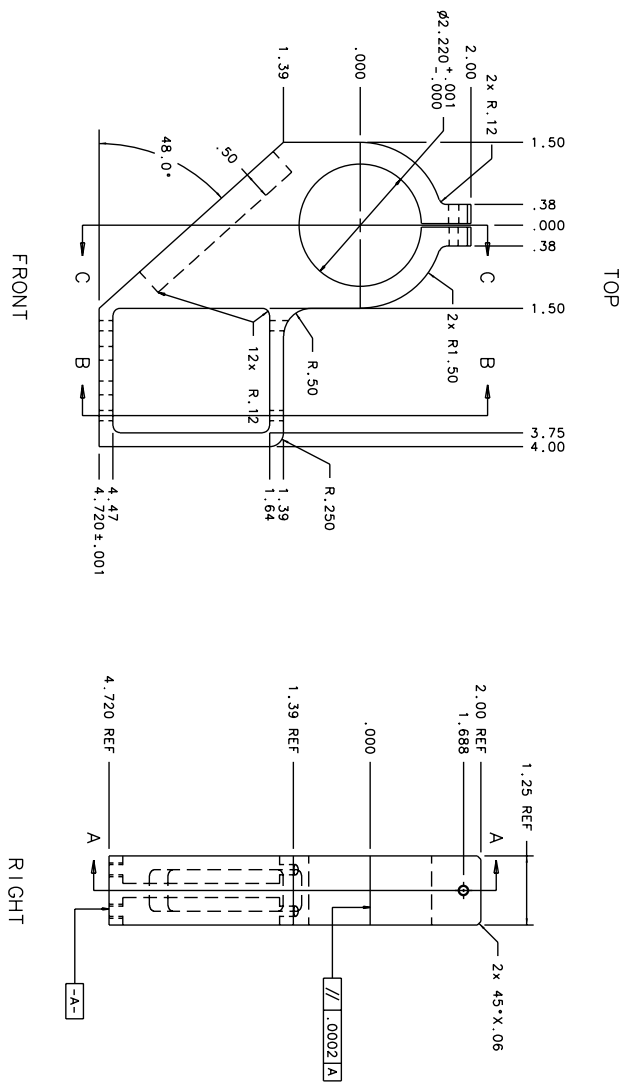
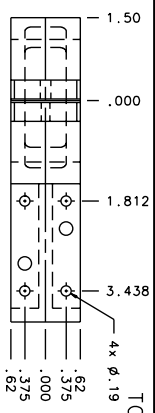


TOLERANCE X.XXXX +/-0.0002

BILL OF MATERIAL

ITEM Q'TY	DRW. NO.	DESCRIPTION	MATERIAL
1	AKK-208	LENSHUBEL PEDISTAL CLAMP	ALUM 6061-T6

WEIGHT : 1.37 LBS
 ANODIZE : BLACK
 SURF AREA : 90.40



TOLERANCES		DRAWING NUMBER		INSTITUTE FOR ASTRONOMY	
NEUT ASSY	X.X \pm 0.02	DATE: 12/21/01	AKK-208-1	NAME: LENSUBEL PEDISTAL CLAMP	1000 UNIVERSITY AVENUE
AKK-200	X.XX \pm 0.005	DESIGN: VERN S		TELESCOPE: NASA 18FT	BERKELEY, CA 94720
	X.XXX \pm 0.001	JOS #: 948		SIZE: B	
	\leq \pm 0.5°	MFG:		REVISION DATE: REV. DATE	
				SCALE: 1:2	
				SHEET NO. 1 OF 2	