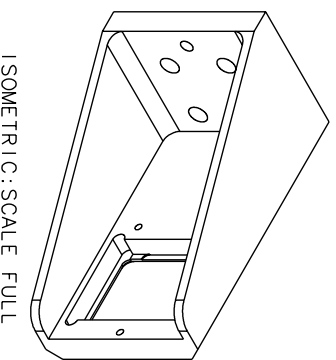
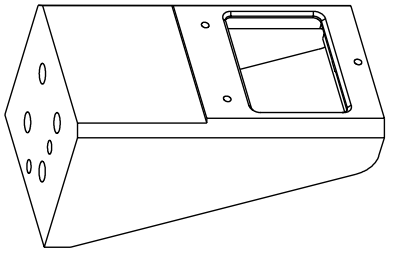
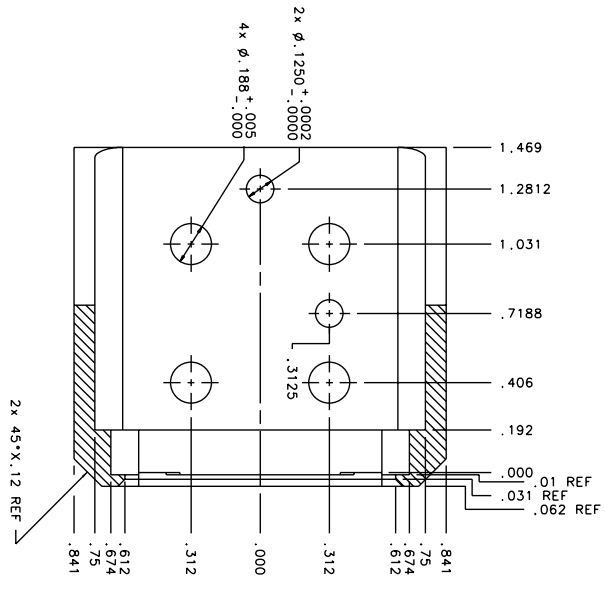
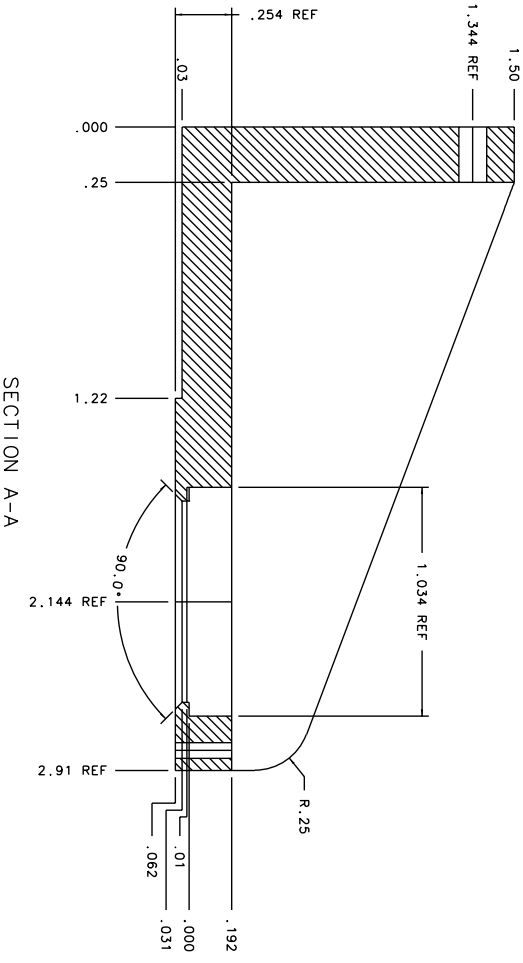


ITEM Q'TY	DRW. NO.	DESCRIPTION	MATERIAL
		BILL OF MATERIAL	



VIEW: SCALE FULL

ISOMETRIC: SCALE FULL

TOLERANCES		DRAWING NUMBER		INSTITUTE FOR ASTRONOMY	
NEXT ASSY	X .X ±0.02	DATE: 12/21/01	NAME: FOUO MOUNT	PROJECT NO.	REV. DATE
ADK-200	X .XX ±0.005	DESIGN: VERN S	TELESCOPE: WSA REF		
	X .XXX ±0.001	JOS #: 948	SIZE: B	REVISION DATE:	REV. DATE
	±0.5°	MFG:	SCALE: 2:1	SHEET NO.	2 OF 2