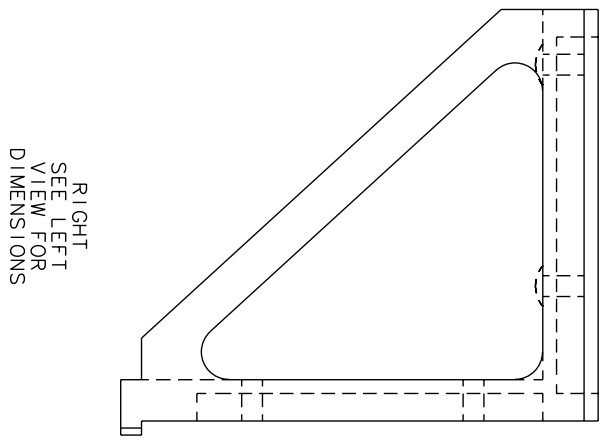
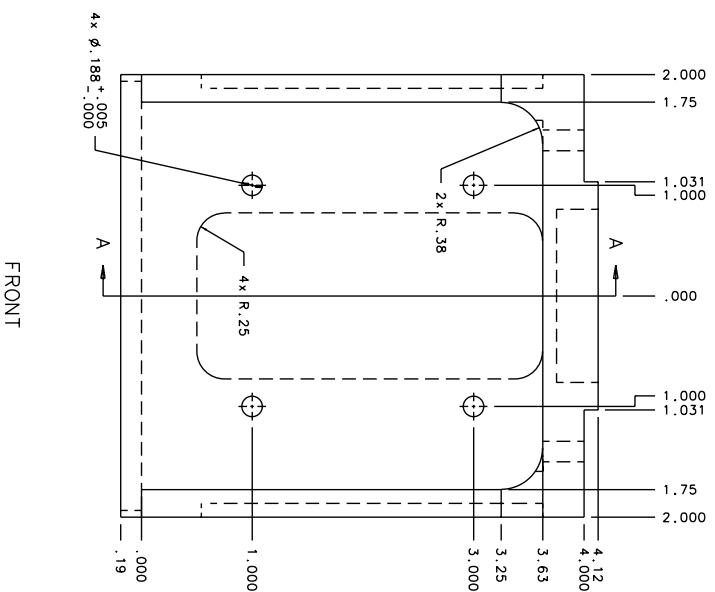
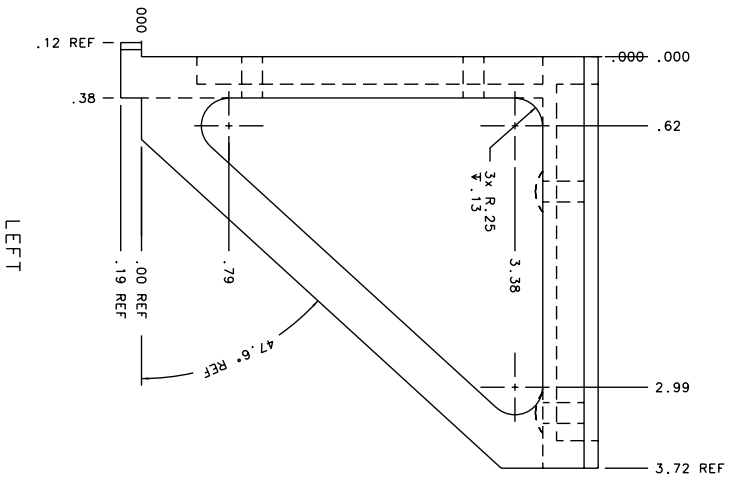


BILL OF MATERIAL			MATERIAL
ITEM Q'TY	DRW. NO.	DESCRIPTION	
1	AK-202	COLLINS CDD BASE PLATE	ALUM 6061-T6

WEIGHT : 1.14 LBS
 ANODIZE : BLACK
 SURF AREA : 108.12 IN²



TOLERANCES		DRAWING NUMBER		INSTITUTE FOR ASTRONOMY	
UNLESS OTHERWISE SPECIFIED		AK-202-1		1480 S. BROADWAY, SUITE 110, PASADENA, CA 91106	
MECH ASSY	X, X ±0.02	DATE: 01/03/02	NAME: COLLINS CDD BASE PLATE	REV. 1	DATE
AK-200	X, XX ±0.005	DESIGN: VERN S	TELESCOPE: NASA HRT	REV. 2	DATE
	X, XXX ±0.001	JOS #: 948	SCALE: 1:1	SHEET NO. 1	OF 2
	±0.5°	MFG:			