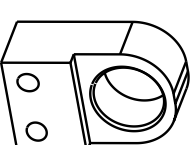
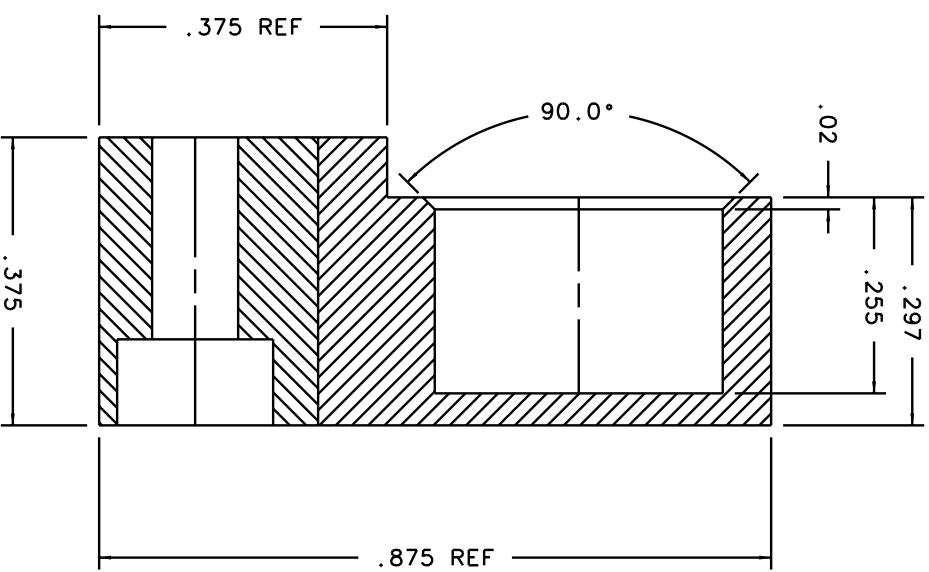
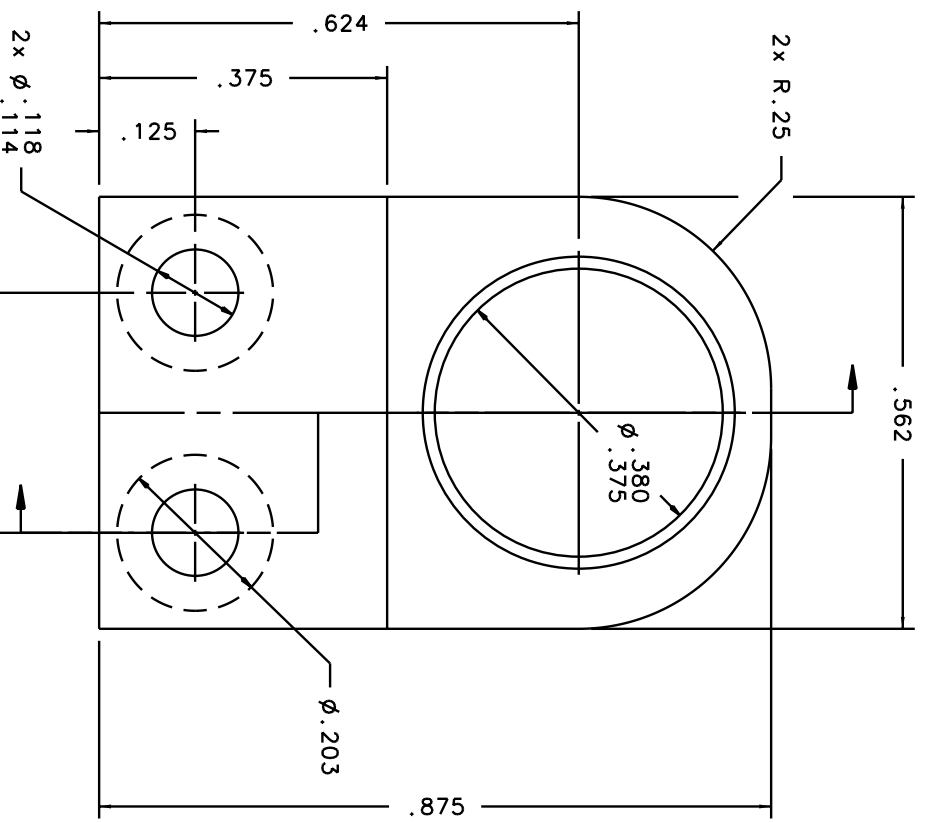


BILL OF MATERIAL			MATERIAL
ITEM Q'TY	DRW. NO.	DESCRIPTION	
1	1	SPRING BLOCK INNER GIMBAL	ALUM 6061-T6



SCALE: FULL

TOLERANCES		DRAWING NUMBER		INSTITUTE FOR ASTRONOMY	
UNLESS OTHERWISE NOTED		AOK-115		2680 WOODLAWN DR. HONOLULU, HI 96822	
POST PROCESSING:		NEXT ASSY	X.X ±0.02	DATE: 05/04/04	NAME: SPRING BLOCK INNER GIMBAL
SURFACE AREA:	2.44 IN ²	AOK-000	X.XX ±0.005	DESIGN: VERN S	INSTRUMENT: IRTF AO
WEIGHT:	0.01 LBS		X.XXX ±0.001	JOS #: 191	TELESCOPE: NASA IRTF
OTHER			∠ ±0.5°	MFG:	SIZE: B
					REVISION DATE: REV_DATE
					SCALE: 4:1
					SHEET NO. 1 OF 1