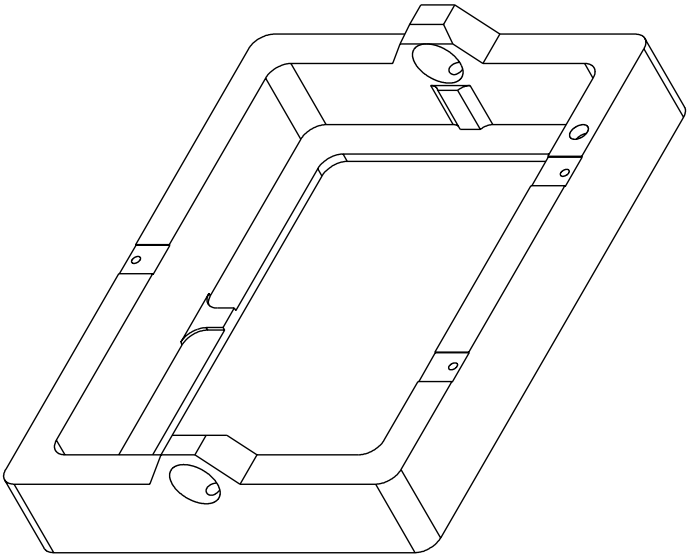
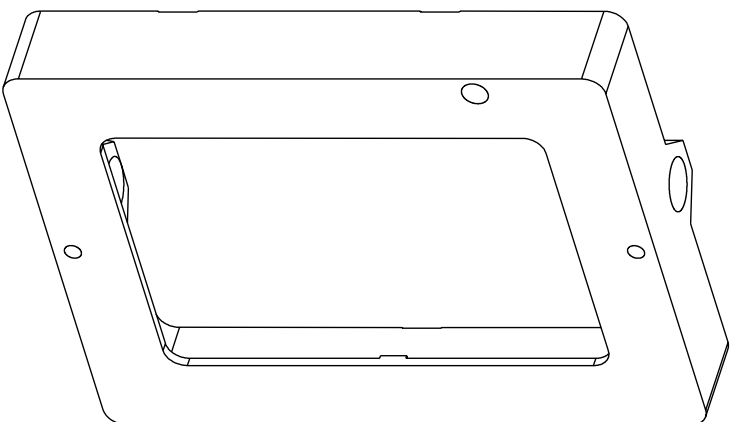


BILL OF MATERIAL		MATERIAL
ITEM Q'TY	DRW. NO.	DESCRIPTION



ISO: SCALE FULL



VIEW8: SCALE FULL

<b>TOLERANCES</b> <small>UNLESS OTHERWISE SPECIFIED</small>		<b>DRAWING NUMBER</b> ADX-106-4		<b>INSTITUTE FOR ASTRONOMY</b> <small>UNIVERSITY OF HAWAII, HONOLULU, HI 96822</small>	
NEXT ASSY	X, X ±0.02	DATE: 12/26/01	NAME: INNER GIMBAL FRAME	DESIGN: VERN S	TELESCOPE: NASA IPT
ADX-100	X, XX ±0.005	DESIGN: VERN S	SIZE: B	JOS #: 948	REVISION DATE: REV. DATE
	X, XXX ±0.001		SCALE: INT'D	MFG:	SHEET NO. 4 OF 4
	±0.5°				