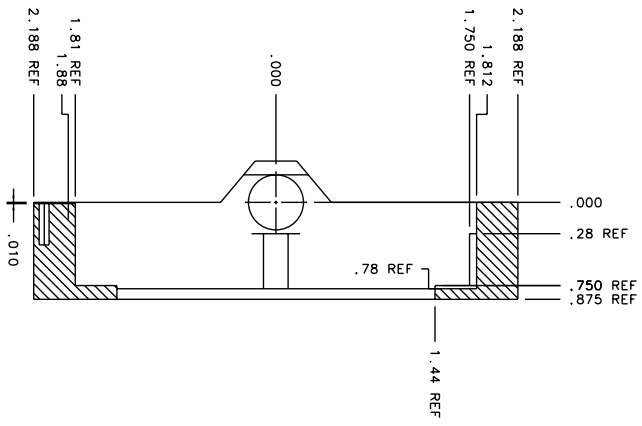
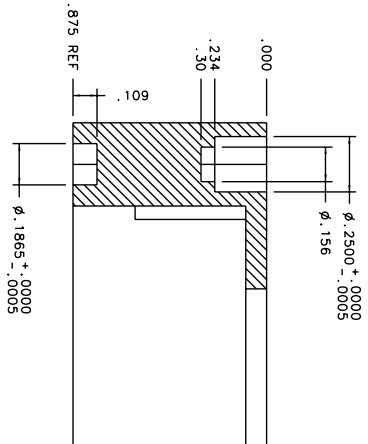


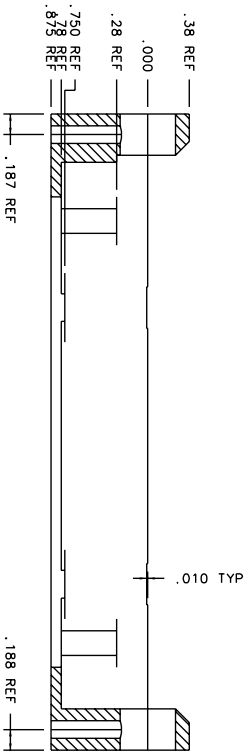
ITEM Q'TY	DRW. NO.	DESCRIPTION	MATERIAL
		BILL OF MATERIAL	



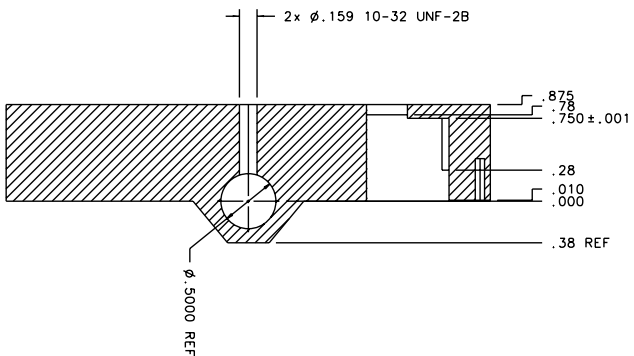
SECTION B-B: SCALE 1:1



SECTION D-D: SCALE 2:1



SECTION A-A: SCALE 1:1



SECTION C-C: SCALE 1:1

TOLERANCES		DRAWING NUMBER		INSTITUTE FOR ASTRONOMY	
NEXT ASSY	X, X ± 0.02	DATE: 12/26/01	NAME: INNER ORIBAL FRAME	PROJECT NO. 105-2	REV. DATE
ADJ-100	X, XX ± 0.005	DESIGN: VERN S	TELESCOPE: MSA 187		
	X, XX ± 0.001	JOS #: 948	SCALE: INTD	SHEET NO. 2 OF 4	
	± 0.5°	MFG:			