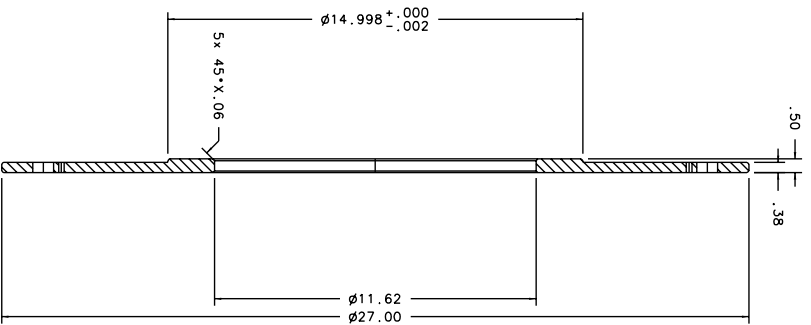
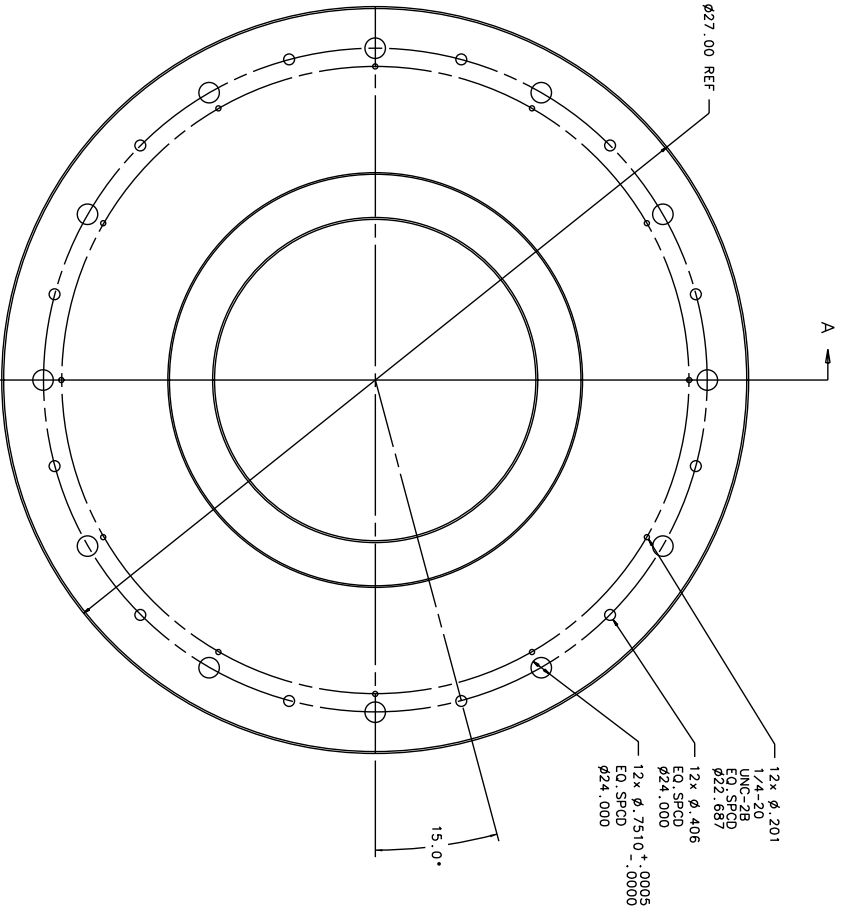


BILL OF MATERIAL			MATERIAL
ITEM Q'TY	DRW. NO.	DESCRIPTION	
1	ADK-322	MO-SPool DRILL FIXTURE	STEEL



SECTION A-A

TOLERANCES		DRAWING NUMBER		INSTITUTE FOR ASTRONOMY	
UNLESS OTHERWISE SPECIFIED		ADK-322		UNIVERSITY OF HAWAII	NO. 11-1002
MECH ASSY	X, X, X0, 02	DATE: 07/18/01	NAME: MO-SPool DRILL FIXTURE	DESIGNED BY: JMS	DESIGNED BY: JMS
N/A	X, XX, X0, 000	DESIGN: VERN 5	TELESCOPE: NKAH MFT	SIZE: B	REVISION DATE: 11/09/01
	X, XXX, X0, 001	JOS # : JOS, MO	SCALE: 1:4	SHEET NO. 1	OF 1
	$\angle$ 10, 5 $\circ$	MFG:			