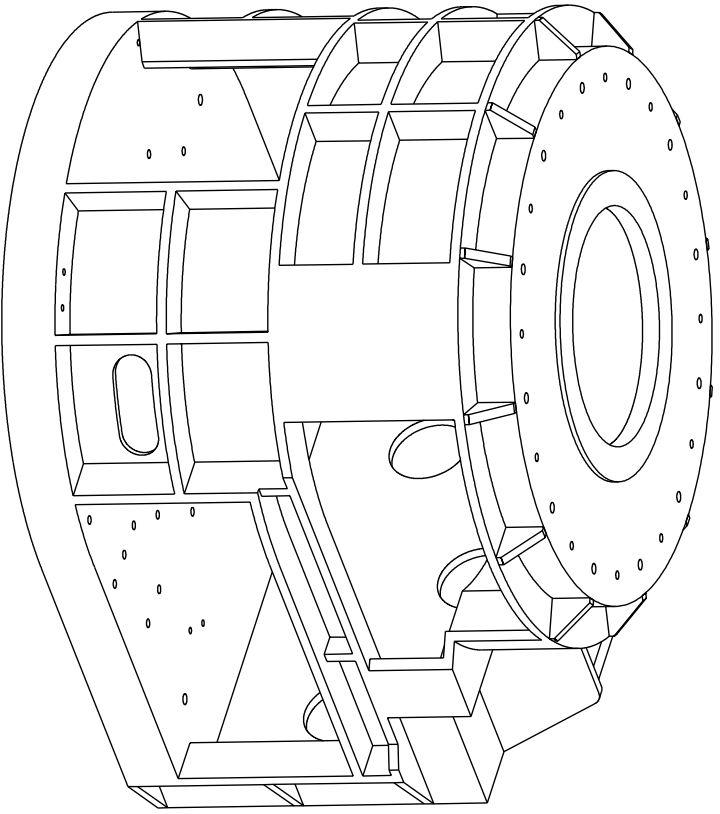
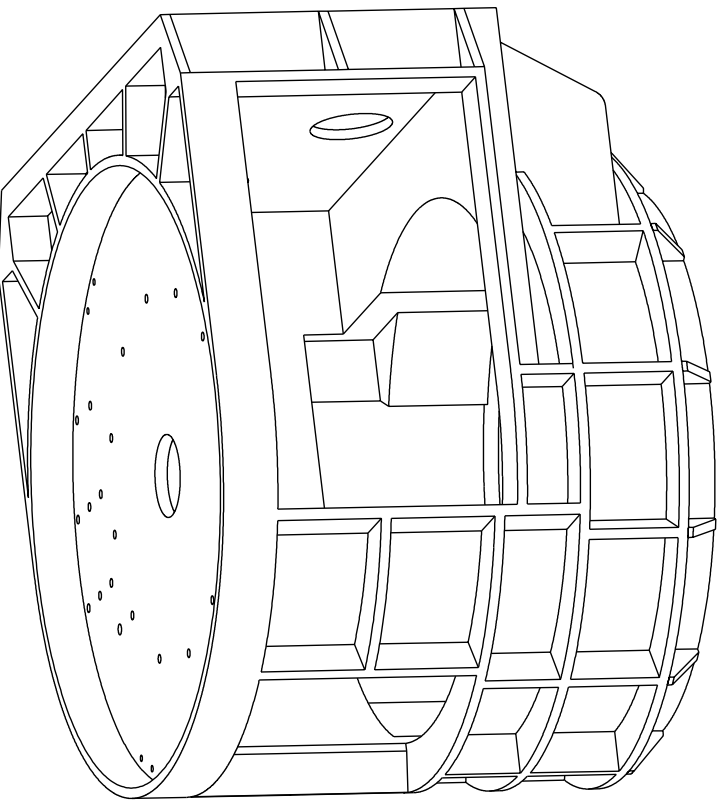


MANUFACTURING NOTES : SHEET 10

ITEM Q'TY	DRW. NO.	DESCRIPTION	MATERIAL



VIEW8 : SCALE 3/16



VIEW9 : SCALE 3/16

05/16/02	ADD 8 HOLES 1/2-13 FOR GEORGE MOUNT. SHEET 5				
11/19/01	ADD SHEET 11, LEFT VIEW				
		TOLERANCES	DRAWING NUMBER	INSTITUTE FOR ASTRONOMY	
		<small>UNLESS OTHERWISE SPECIFIED</small>	ADK-301-9	<small>UNIVERSITY OF CALIFORNIA, SANTA BARBARA</small>	
NEXT ASSY	X, X .X0 .02	DATE: 08/21/01	NAME: AD-SPOD TEA VERSION		
	X, XX .X0 .005	DESIGN: VERN S	TELESCOPE: TELESCOPE		
	X, XXX .X0 .001	JOS #: JOS.MO	SIZE: B	REVISION DATE: 10/24/01	
	± .0, .5"	MFG:	SCALE: 1:4	SHEET NO. 9 OF 11	