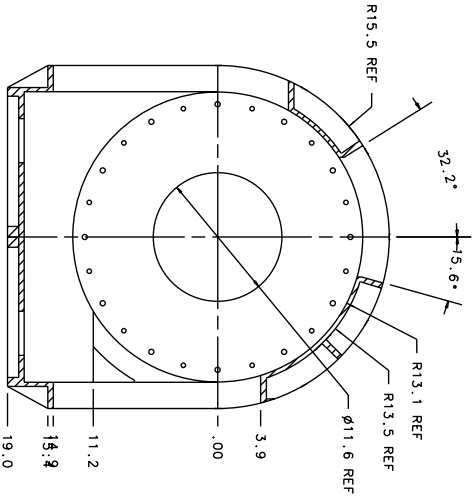
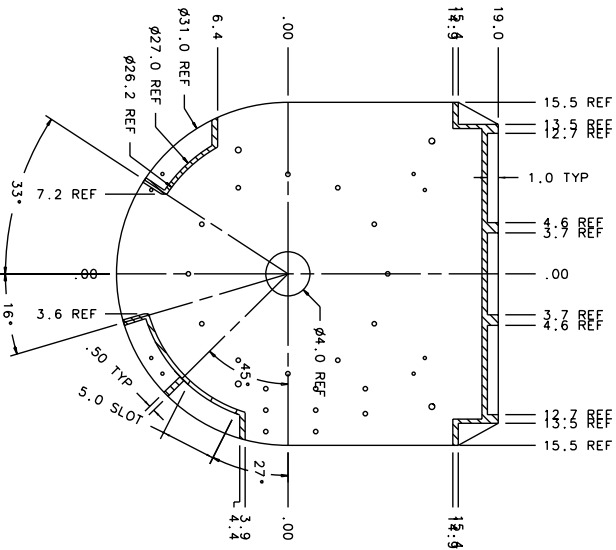


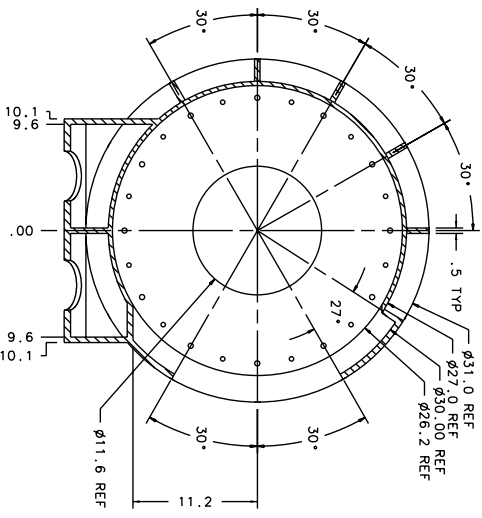
ITEM Q'TY	DRW. NO.	DESCRIPTION	MATERIAL



SECTION C-C: SCALE 1:8



SECTION E-E: SCALE 1:8



SECTION F-F: SCALE 1:8

05/16/02	ADD 8 HOLES 1/2-13 FOR GEORGE MOUNT. SHEET 5		
11/19/01	ADD SHEET 11, LEFT VIEW		
	TOLERANCES	DRAWING NUMBER	INSTITUTE FOR ASTRONOMY
		ADK-301-8	RESEARCH CENTER
			UNIVERSITY OF CALIFORNIA, BERKELEY
NEXT ASSY	X, X ±0.02	DATE: 08/21/01	NAME: 40-SPDL FEA VERSION
	X, XX ±0.005	DESIGN: VERN S	TELESCOPE: TELESCOPE
	X, XXX ±0.001	JOS #: JOS.MO	SIZE: B
		SCALE: 1:4	REVISION DATE: 10/24/01
			SHEET NO. 8 OF 11