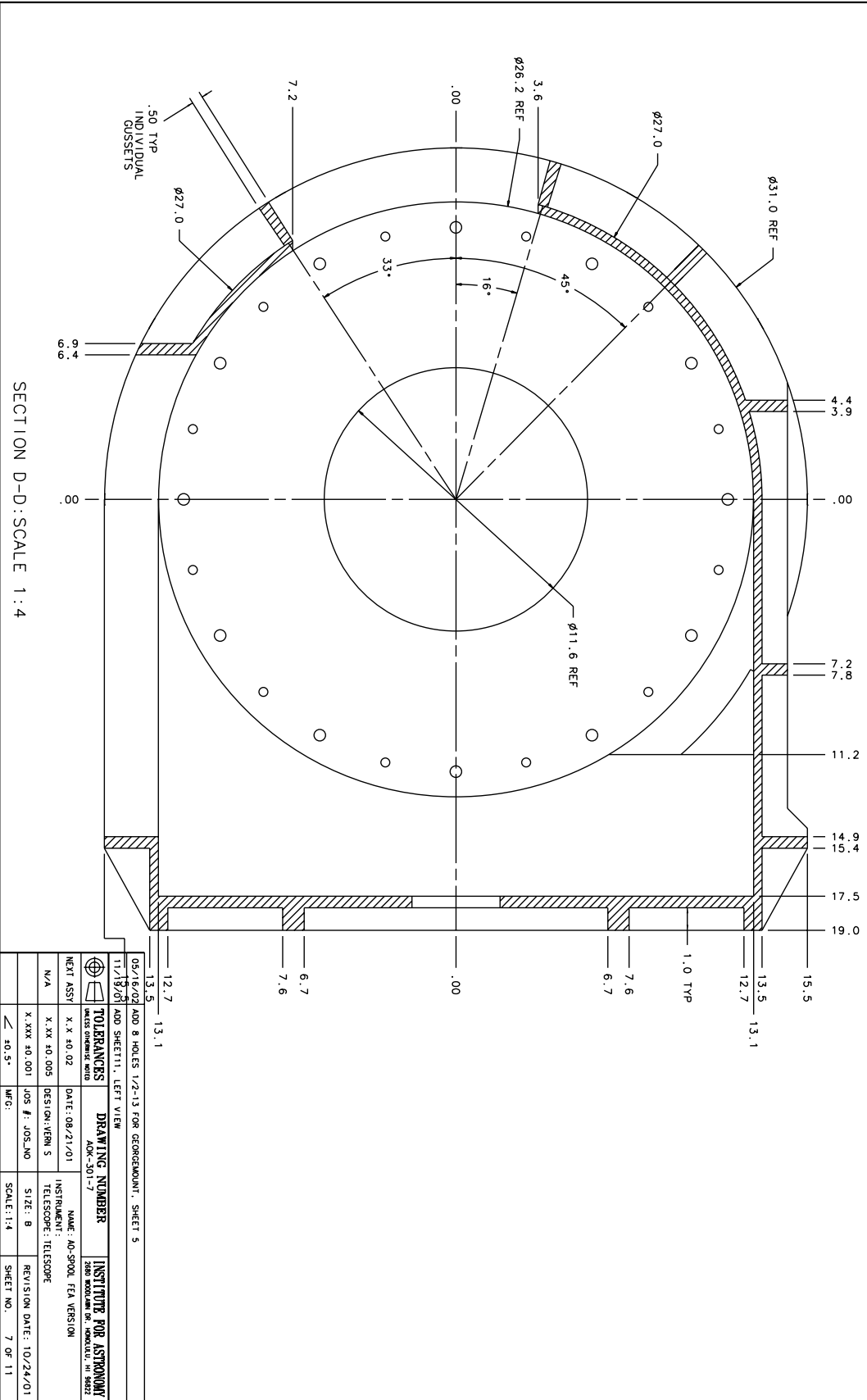


MANUFACTURING NOTES : SHEET 10

ITEM Q'TY	DRW. NO.	DESCRIPTION	MATERIAL



SECTION D-D: SCALE 1:4

<p>09/18/02 ADD 8 HOLES 1/2-13 FOR GEORGE MOUNT. SHEET 5 11/13/01 ADD SHEET 11, LEFT VIEW</p>		<p>05/18/02 ADD 8 HOLES 1/2-13 FOR GEORGE MOUNT. SHEET 5 11/13/01 ADD SHEET 11, LEFT VIEW</p>	
<p>TOLERANCES UNLESS OTHERWISE SPECIFIED</p>		<p>DRAWING NUMBER ADK-301-7</p>	
<p>NEXT ASSY X.X ±0.02</p>		<p>DATE: 08/21/01</p>	
<p>N/A X.XX ±0.005</p>		<p>DESIGN: VERN S</p>	
<p>X.XXX ±0.001</p>		<p>JOS #: JOS.MO</p>	
<p>∠ ±0.5°</p>		<p>SCALE: 1:4</p>	
<p>MFG:</p>		<p>NAME: MO-SPOOL TFA VERSION</p>	
<p></p>		<p>INSTRUMENT: TELESCOPE</p>	
<p></p>		<p>SIZE: B</p>	
<p></p>		<p>REVISION DATE: 10/24/01</p>	
<p></p>		<p>SHEET NO. 7 OF 11</p>	

INSTITUTE FOR ASTRONOMY
 UNIVERSITY OF HAWAII, MANA OHA