

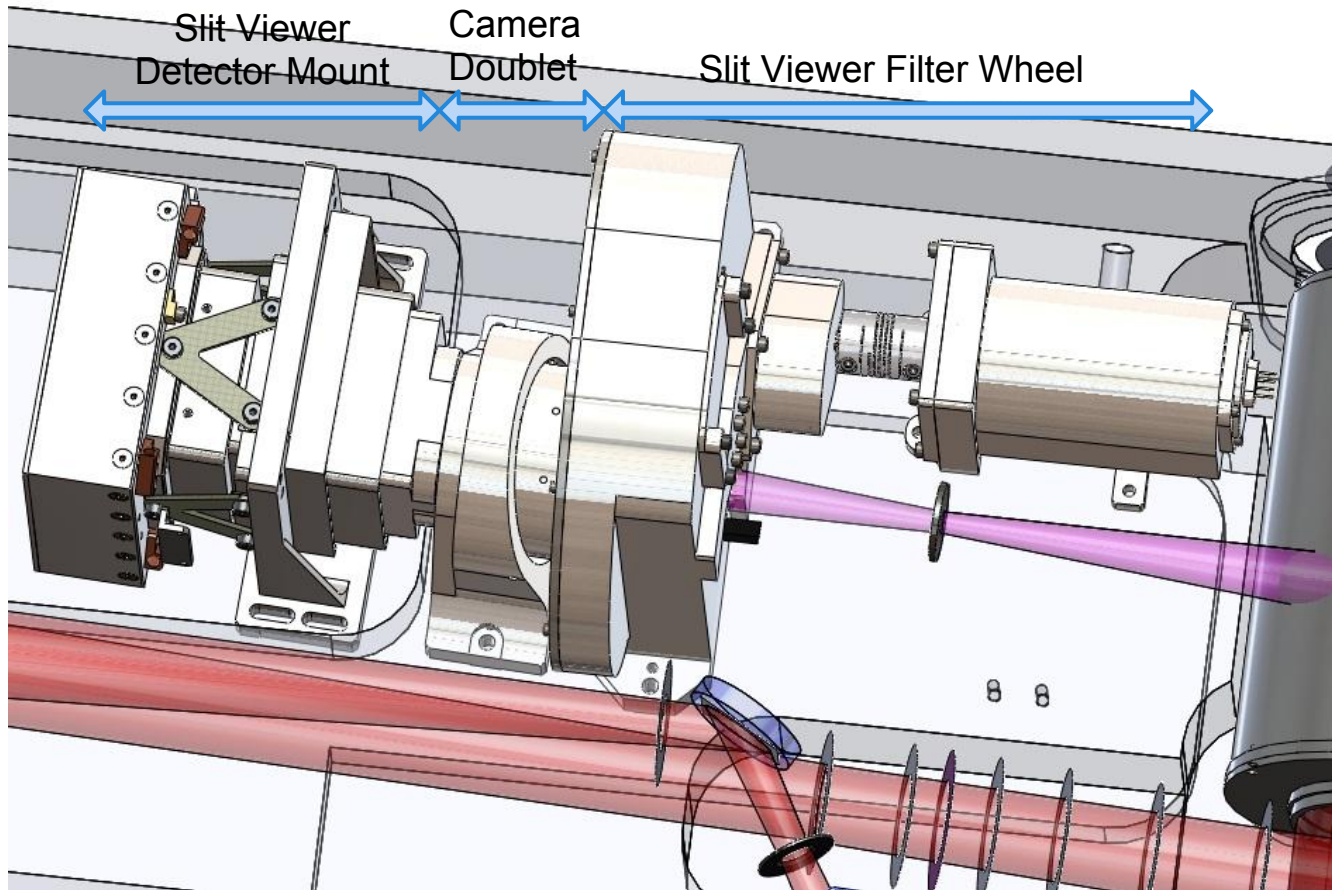
iSHELL Mechanisms: Slit Viewer Assembly

Status Report: 09/06/2013

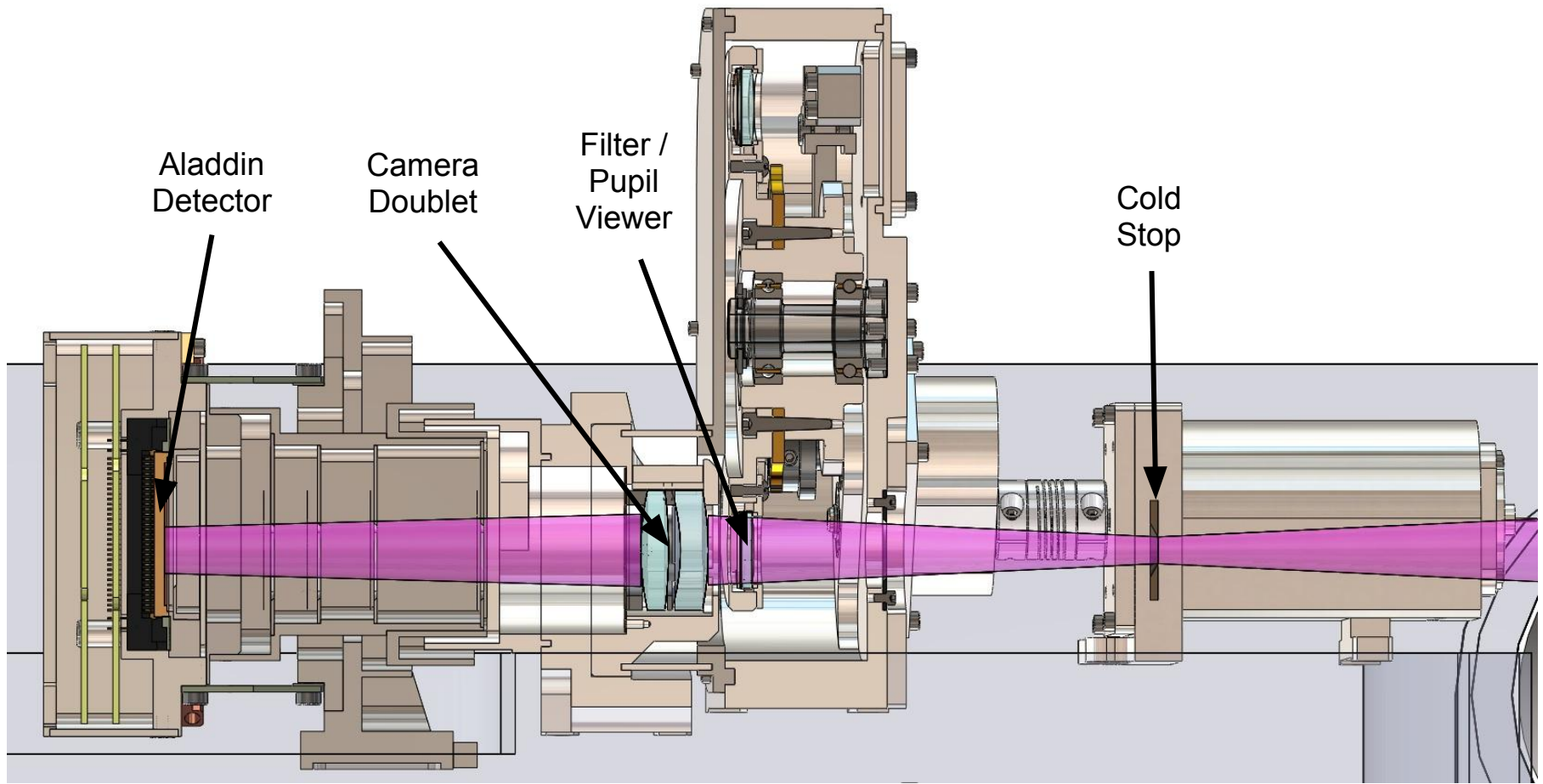
Author: Morgan Bonnet / Updated: 09/06/2013



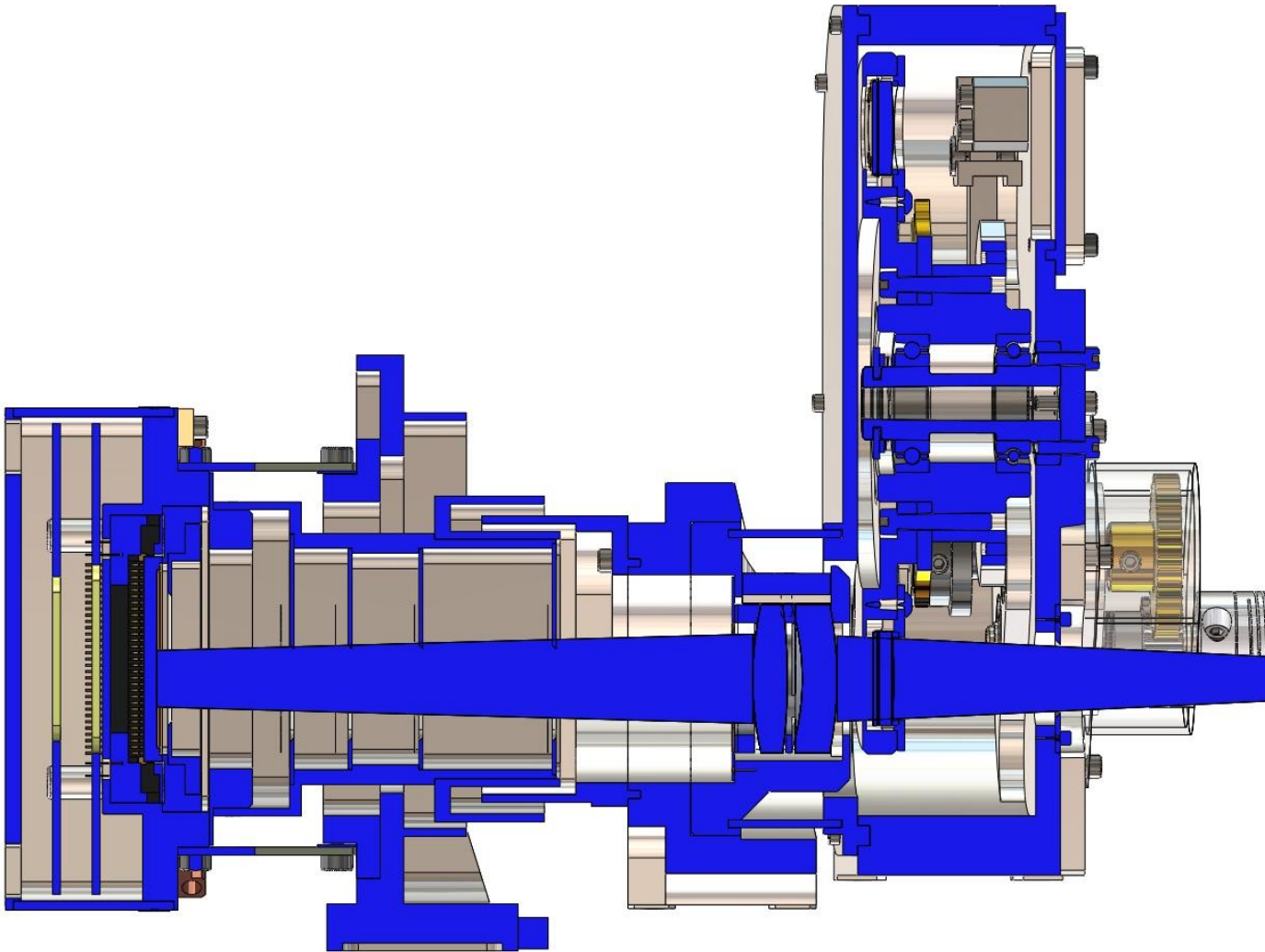
0. Overview



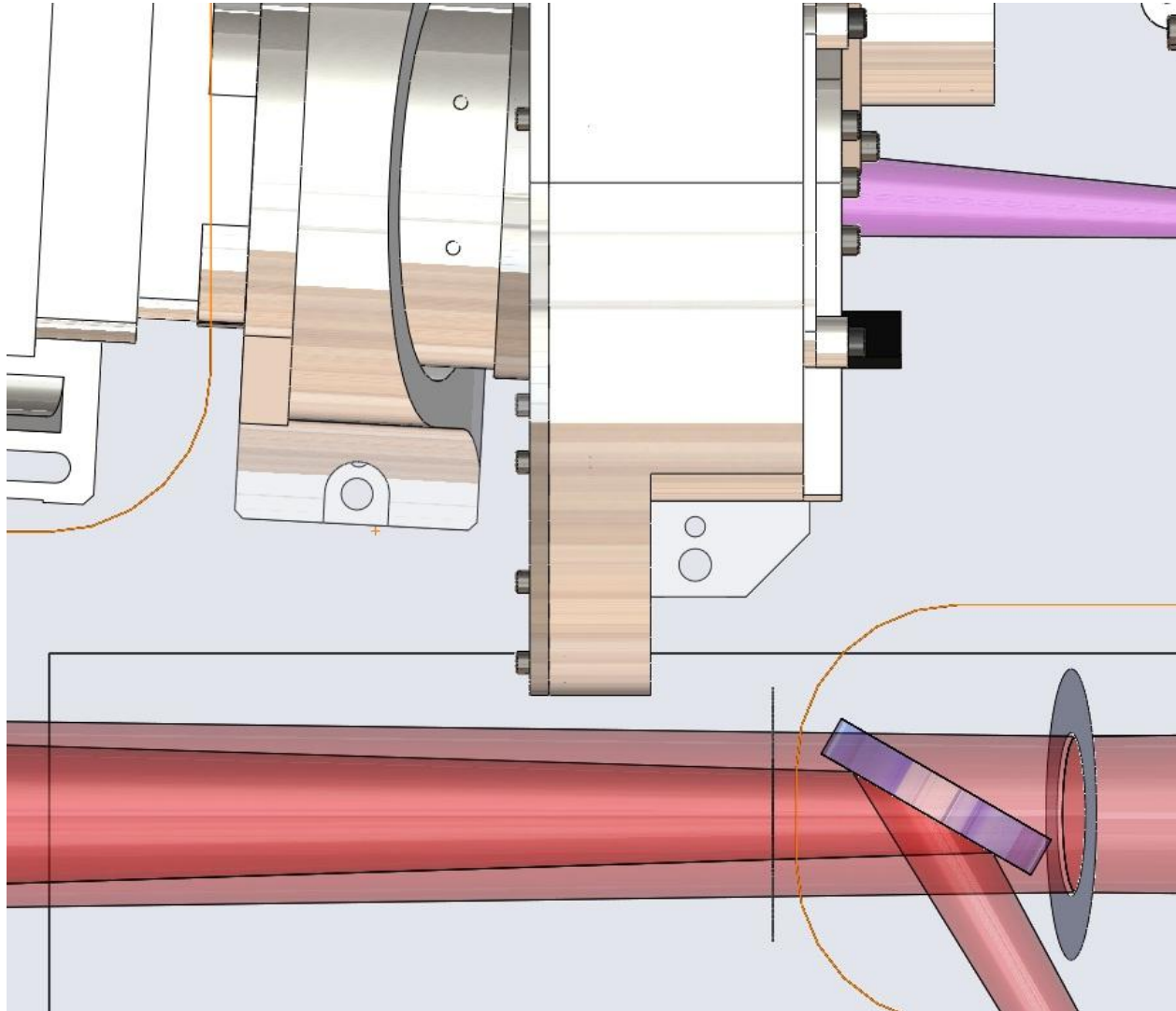
0. Overview: Cross-Section



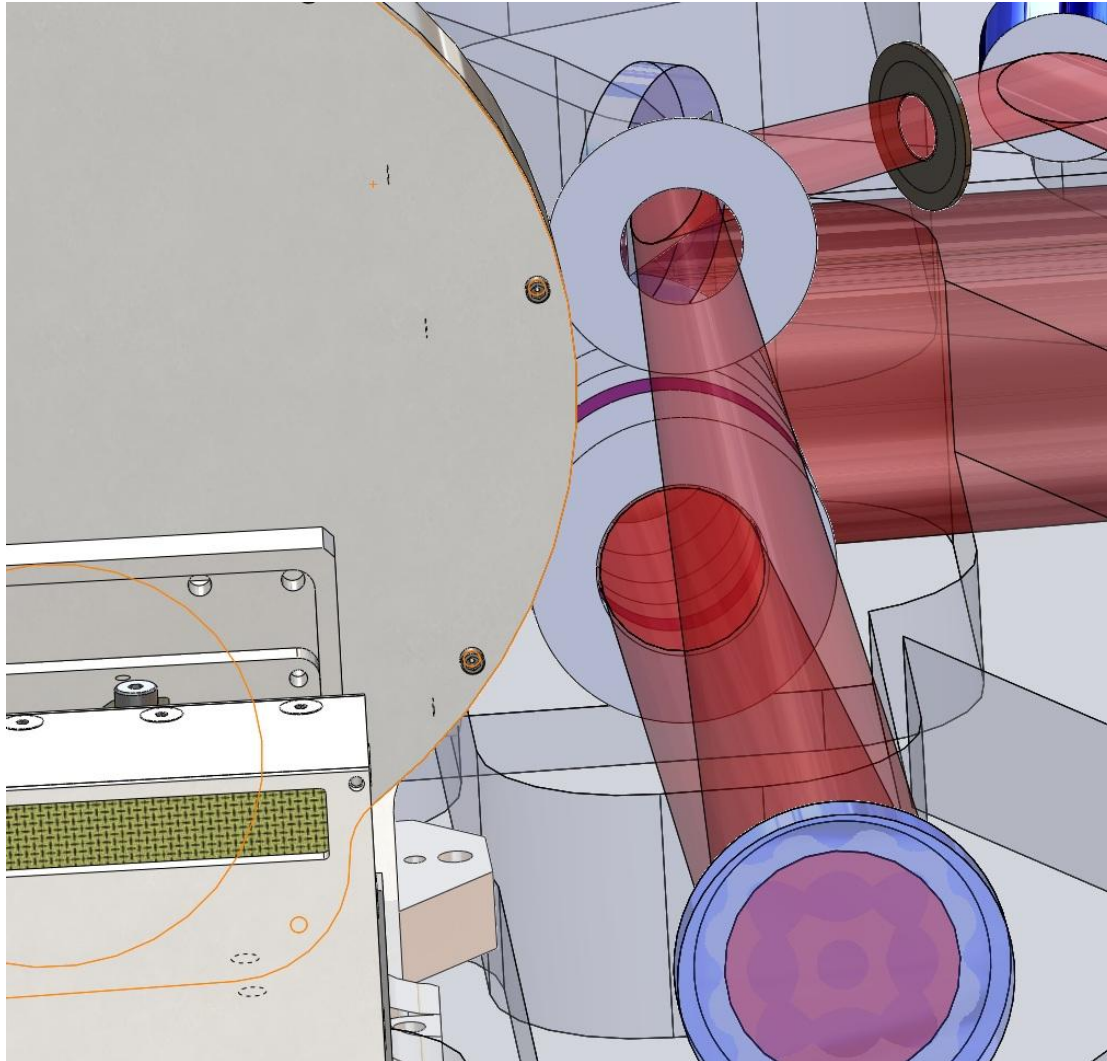
0. Overview: Cross-Section



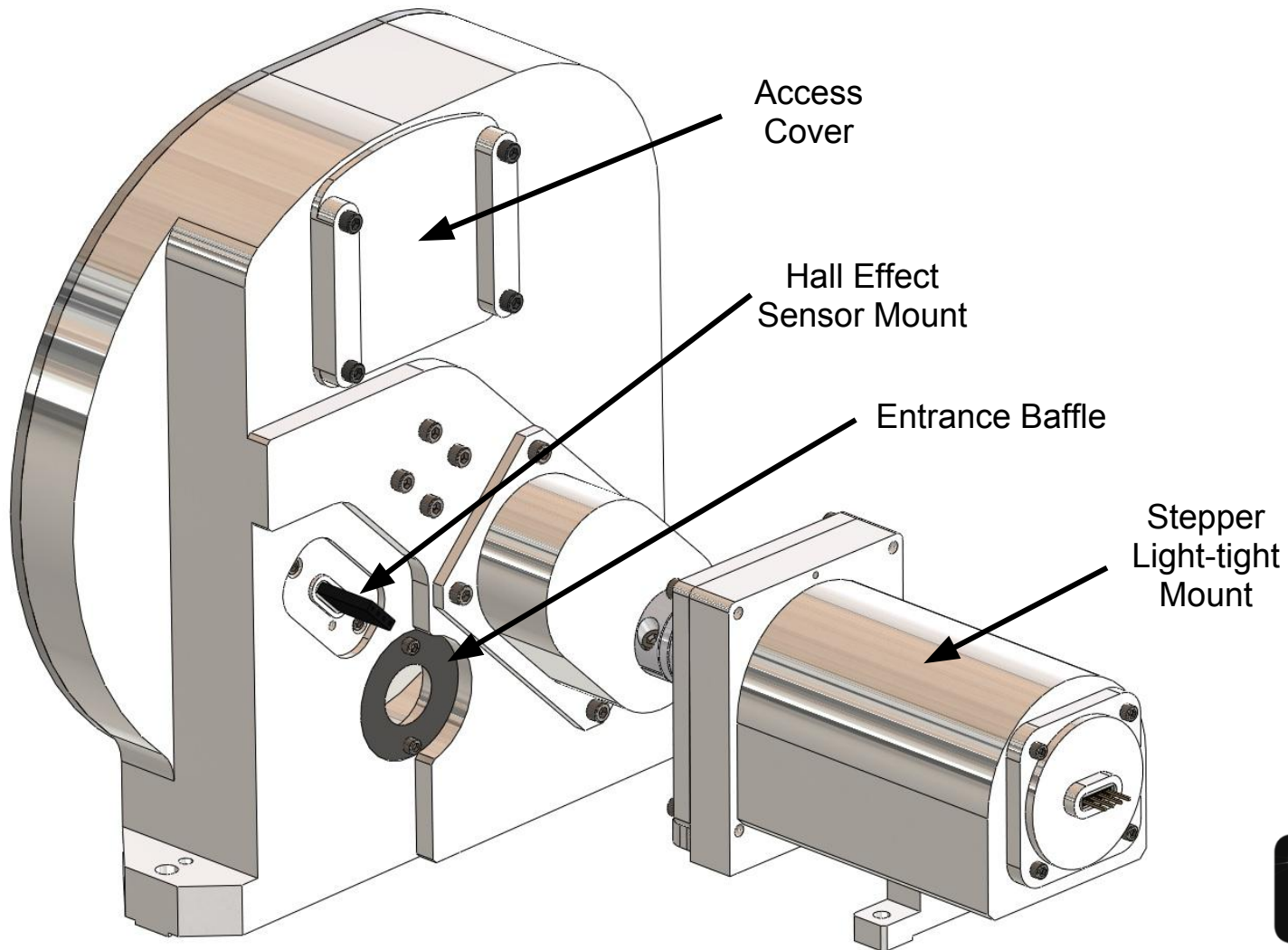
1. Beam Clearance: Side View



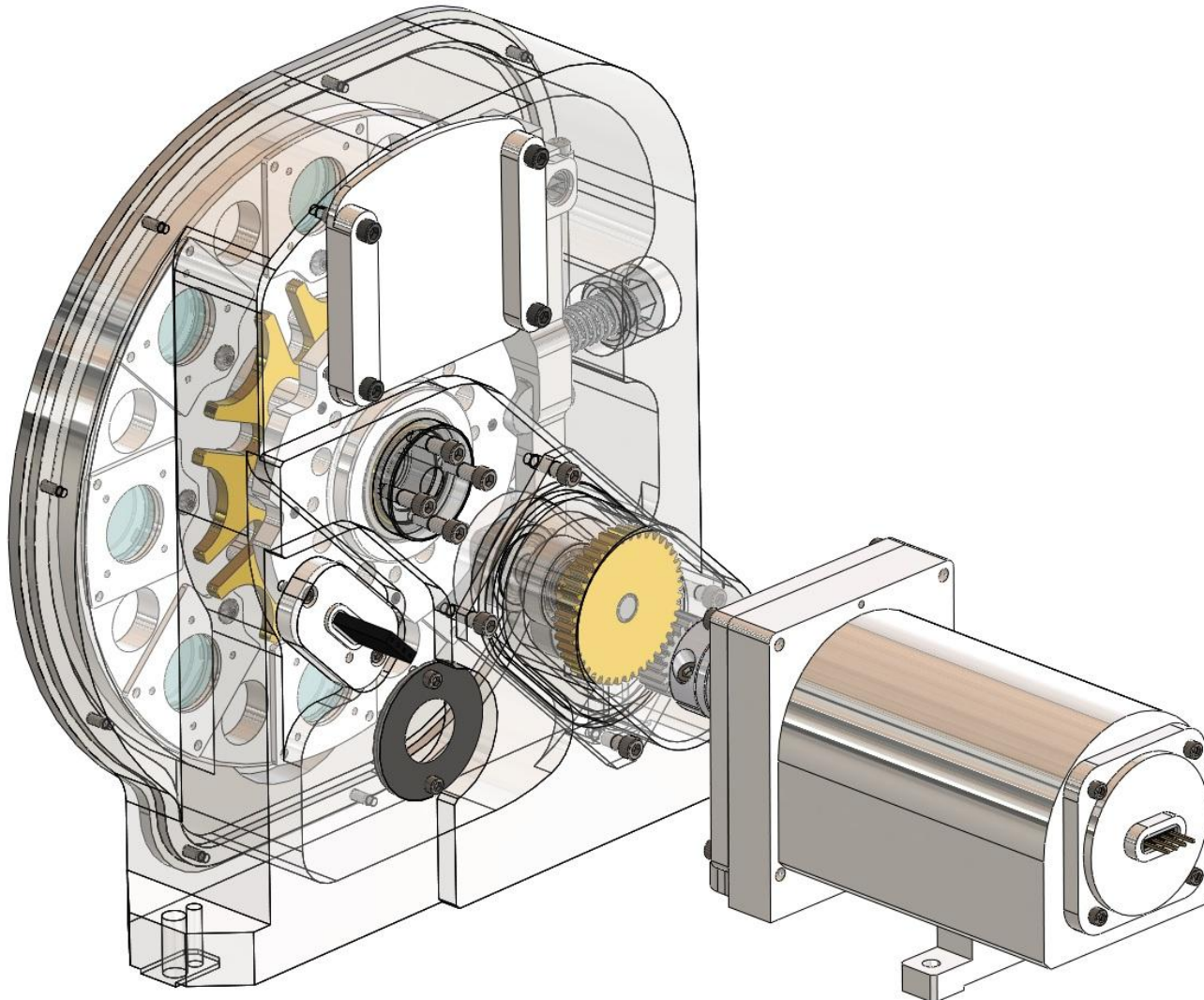
1. Beam Clearance



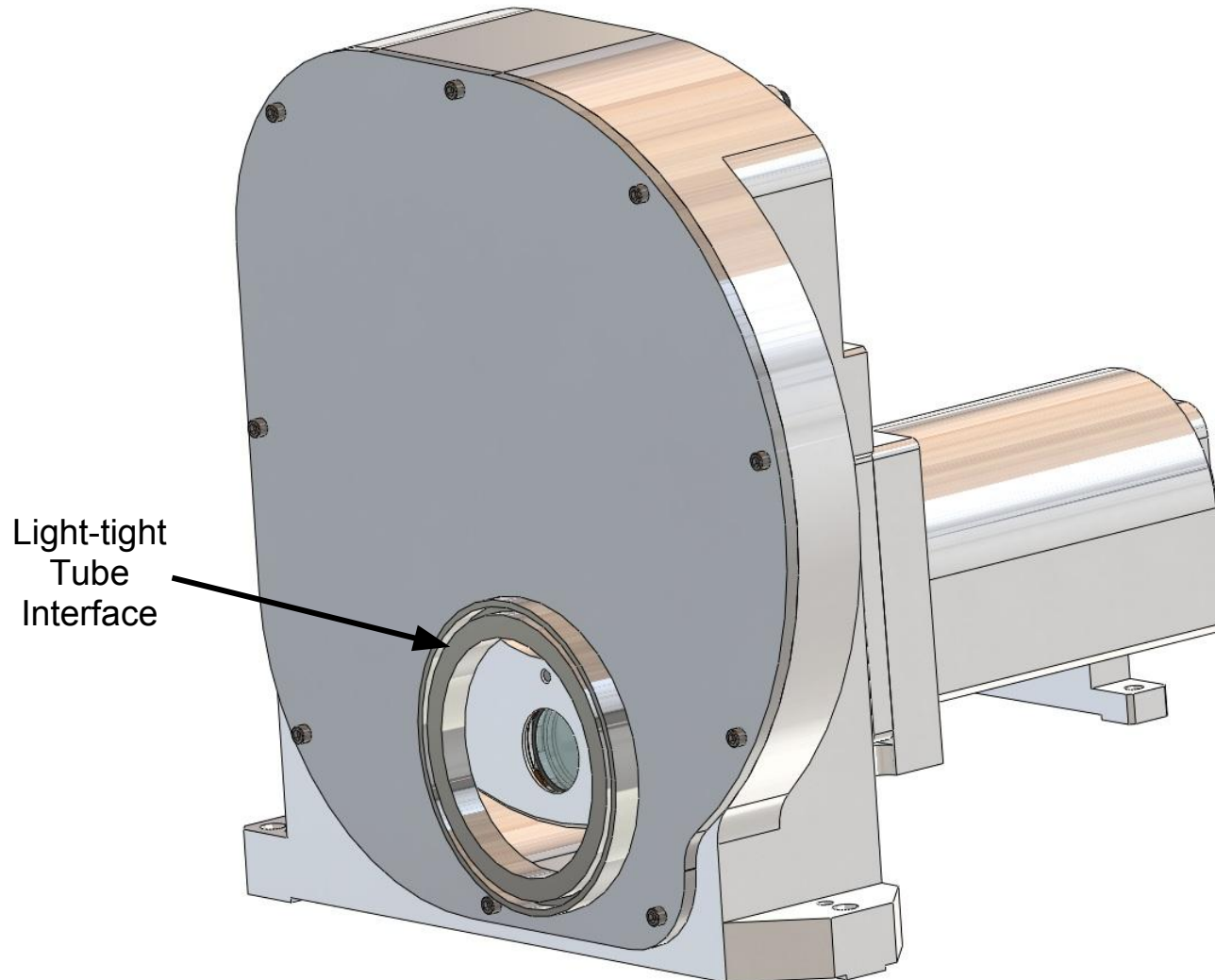
2. Filter Wheel



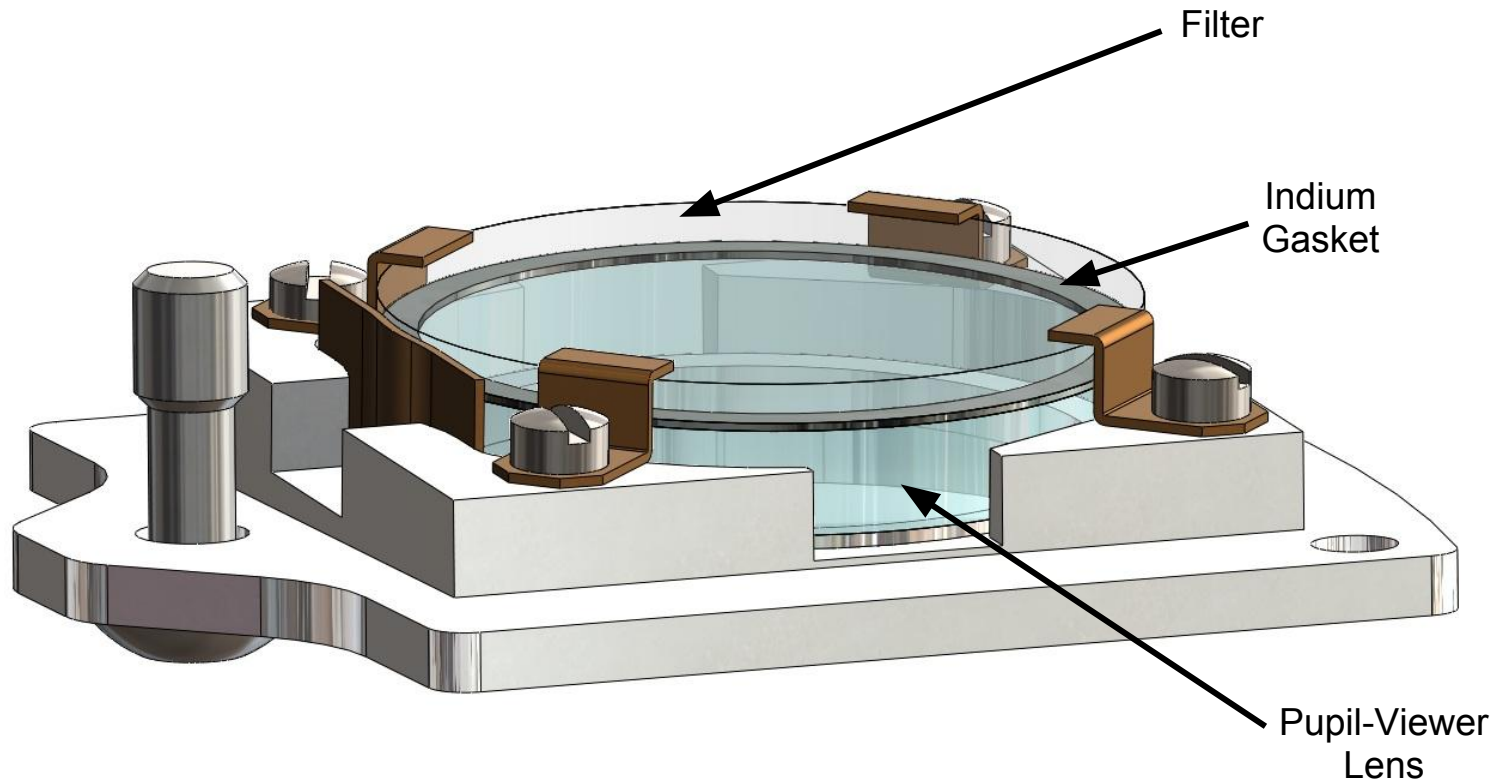
2. Filter Wheel



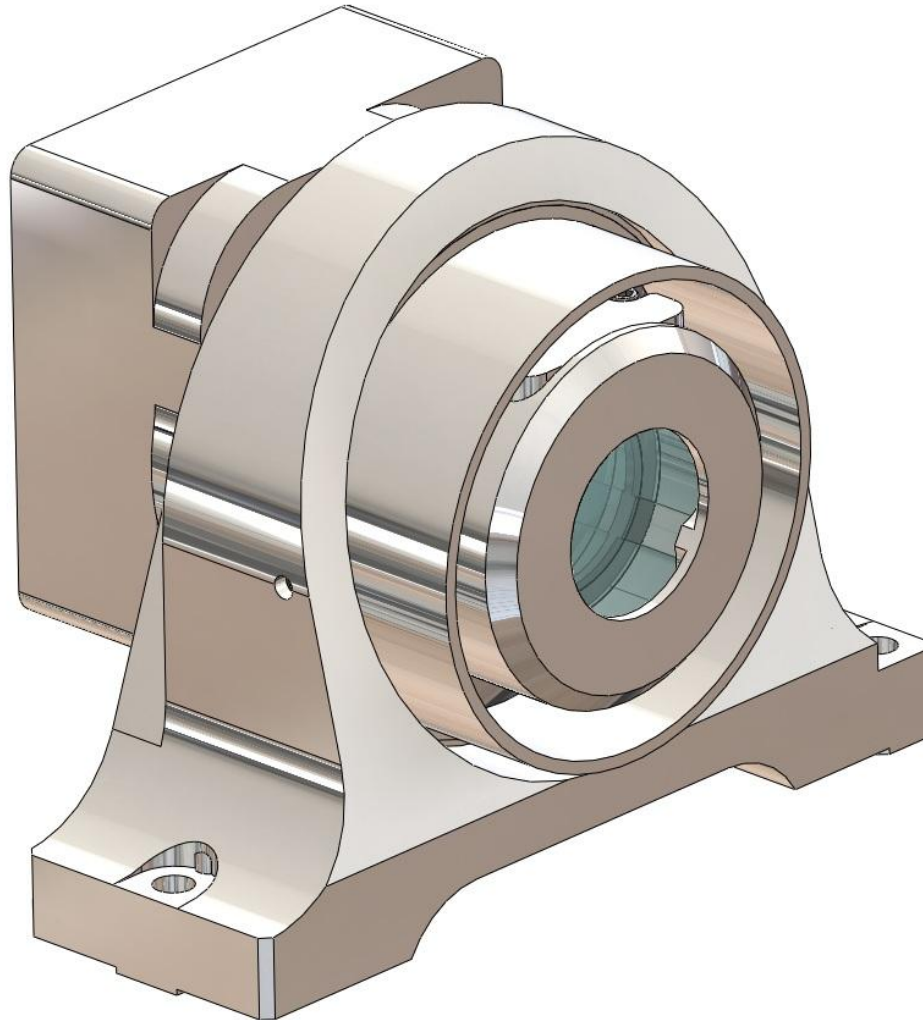
2. Filter Wheel



2. Filter Wheel: Pupil Viewer



3. Camera Doublet Mount



3. Camera Doublet Mount: X-Section

