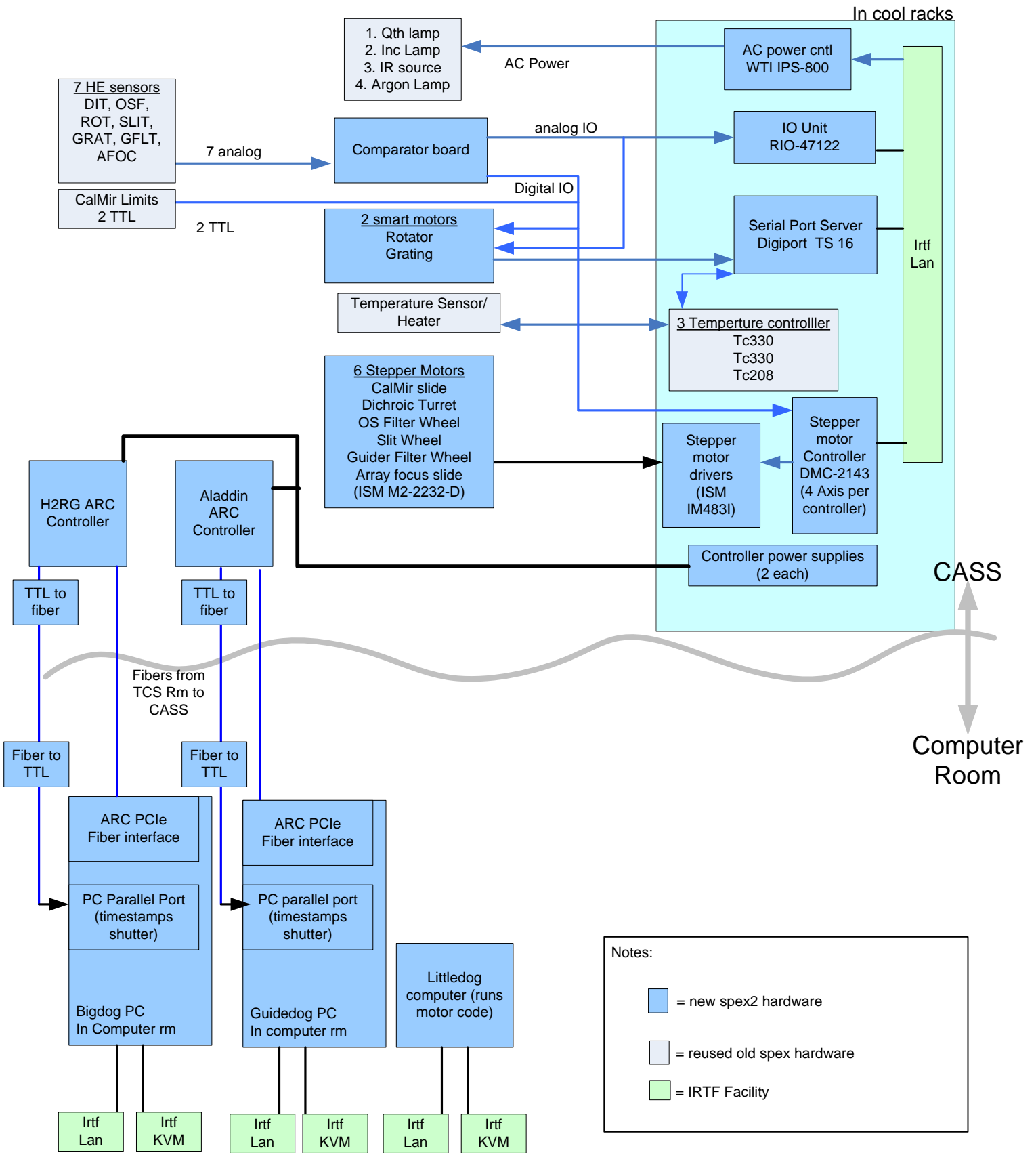
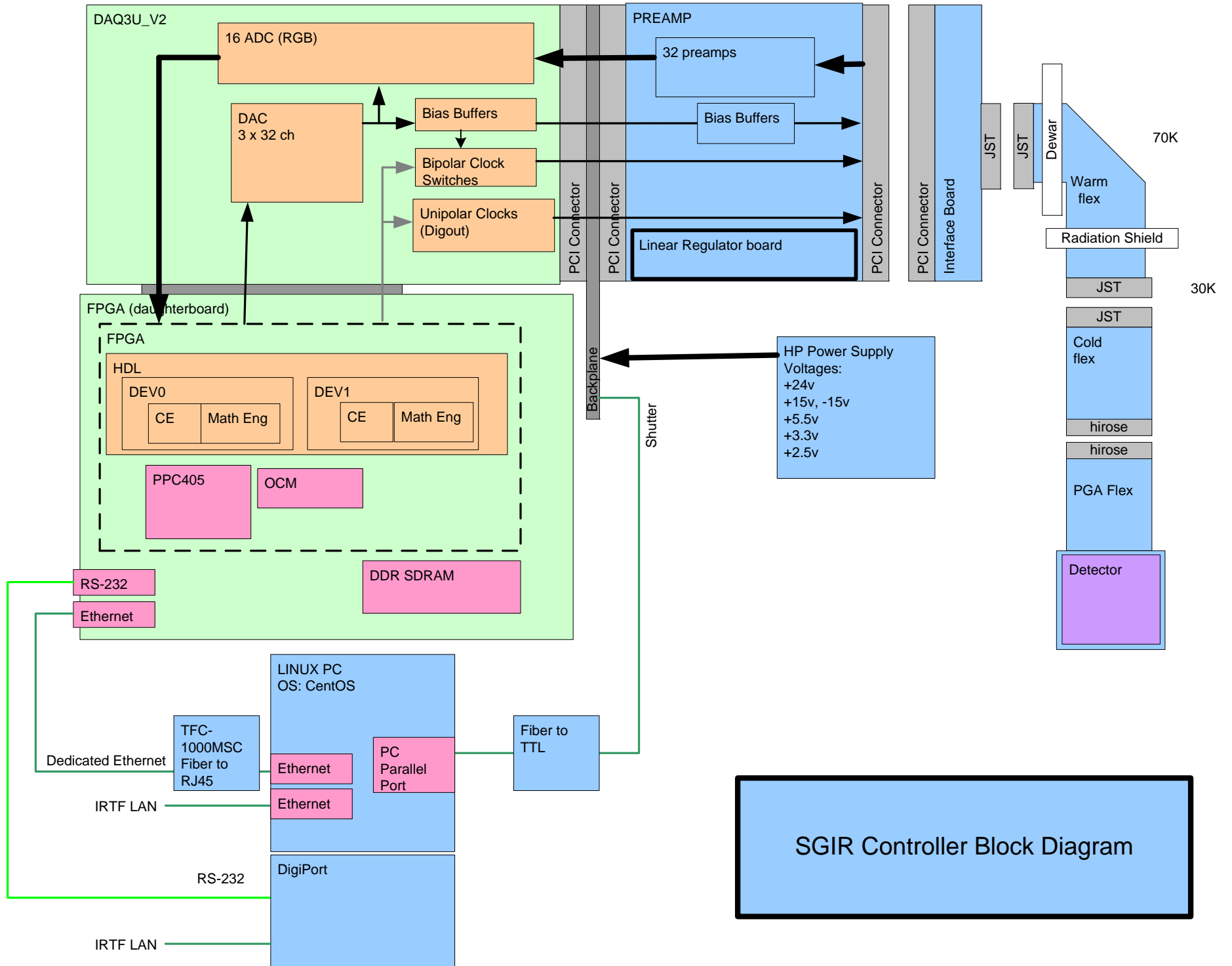


Spex2 Hardware Block Diagram (Animatics and Steppers Motors)





SGIR Controller Block Diagram

Spex2 Mechanical Controller Interface illustration

